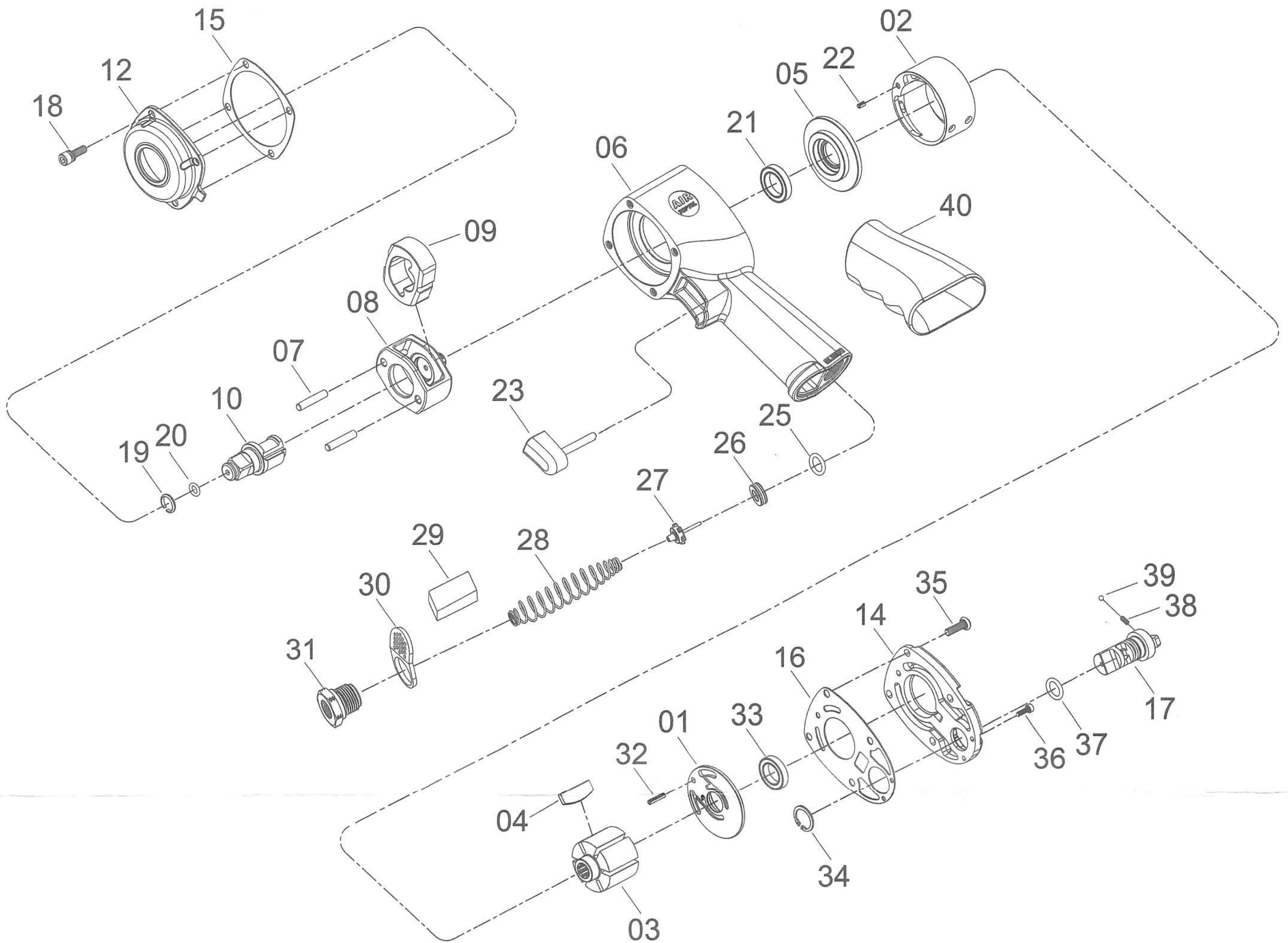


# TOPTUL®

## 1/2" Dr. Super Duty Air Impact Wrench



ITEM NO. **KAAQ1650**

Index No.	Description	Q'TY	Index No.	Description	Q'TY
1	Rear End Plate	1	22	Spring Pin	1
2	Cylinder	1	23	Trigger Assembly	1
3	Rotor	1	● 25	O-Ring	1
4	Rotor Blade	6	● 26	Throttle Valve Seat	1
5	Front End Plate	1	27	Throttle Valve Assembly	1
6	Motor Housing Assembly (incl.25.26)	1	28	Spring	1
7	Hammer Pin	2	29	Muffler Element	1
8	Hammer Frame	1	30	Exhaust Deflector	1
9	Hammer	1	31	Air Inlet	1
10	Standard Anvil Assembly (incl.19.20)	1	32	Spring Pin	1
12	Hammer Case Assembly	1	33	Ball Bearing	1
14	Backhead	1	34	Socket Retainer	1
15	Hammer Case Gasket	1	35	Screw	4
16	Backhead Gasket	1	36	Screw	2
17	Reverse Valve	1	37	O-Ring	1
18	Screw	4	38	Steel Ball Spring	1
● 19	Socket Retainer	1	39	Steel Ball	1
● 20	O-Ring	1	40	Rubber Grip	1
21	Ball Bearing	1	TK	Tune-Up Kit {incl.4 (6).15.16.19.20.25.28.29.34.37.38.39}	

● Recommended not be replaced and reinstalled individually due to assembly difficulty

2015.01