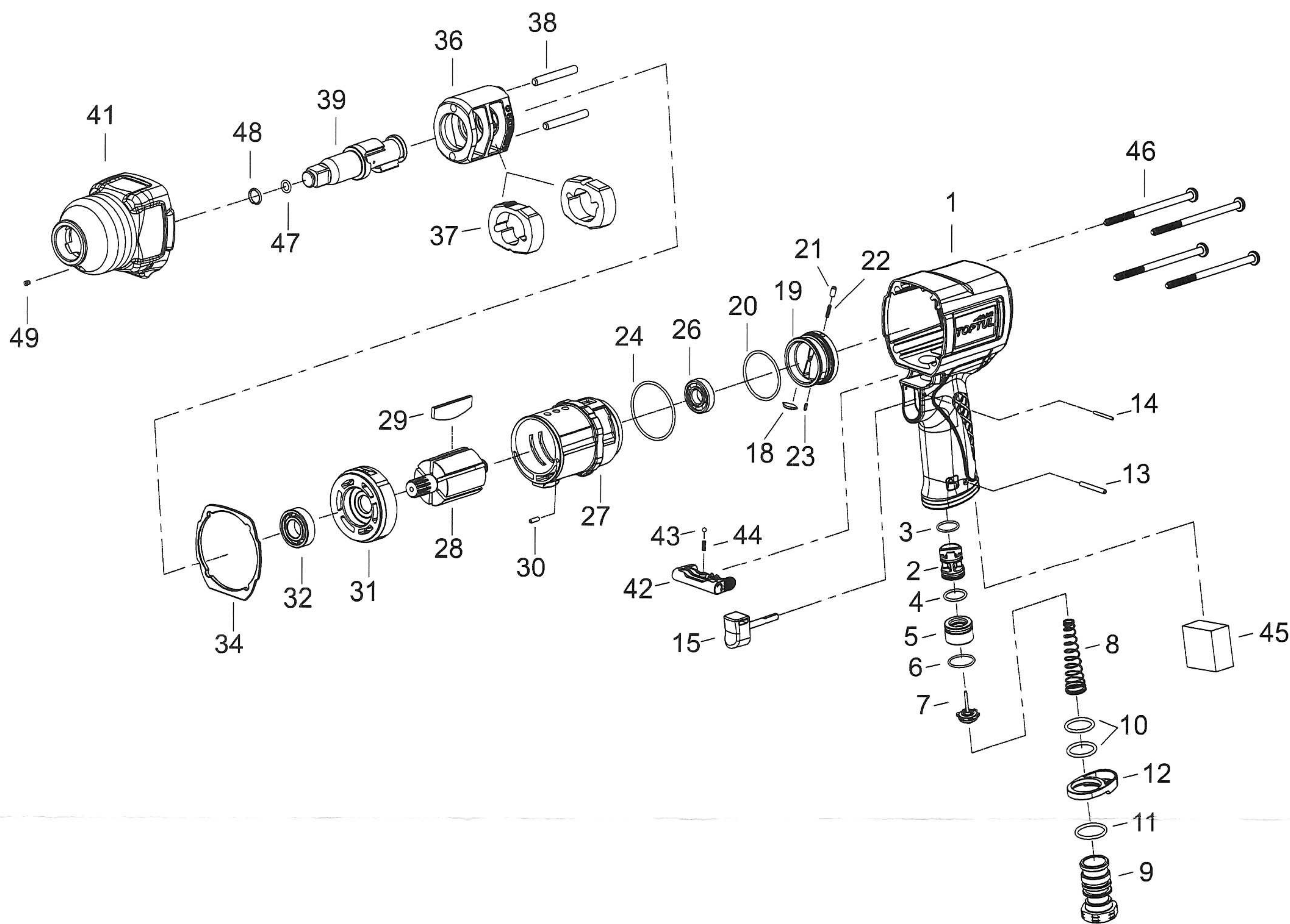


TOPTUL®

3/4" Dr. Super Duty Air Impact Wrench



► ITEM NO. **KAAJ2480**

Index. No	Description	Q'TY	Index. No	Description	Q'TY
1	Motor Housing Assembly	1	27	Cylinder Assembly	1
2	Reverse Valve	1	28	Rotor	1
3	O-Ring	1	29	Rotor Blade	6
4	O-Ring	1	30	Spring Pin	1
5	Throttle Valve Seat	1	31	Front End Plate	1
6	O-Ring	1	32	Ball Bearing	1
7	Throttle Valve Assembly	1	34	Gasket	1
8	Spring	1	36	Hammer Frame	1
9	Air Inlet	1	37	Hammer	2
10	O-Ring	2	38	Hammer Pin	2
11	O-Ring	1	39	Standard Anvil	1
12	Exhaust Deflector	1	41	Hammer Case Assembly (incl. 49)	1
13	Spring Pin	1	42	Reverse Knob	1
14	Spring Pin	1	43	Steel Ball	1
15	Trigger Assembly	1	44	Steel Ball Spring	1
18	Plug	1	45	Exhaust Deflector	1
19	Reverse Valve Knob	1	46	Screw	4
20	O-Ring	1	47	O-Ring	1
21	Pin	1	48	Socket Retainer	1
22	Spring	1	● 49	Grease Fitting	1
23	Spring Pin	1	TK	Tune-Up Kit {incl.3.4.6.8.10(2).11.20.22.24.29(6).34.43.44.45.47.48}	
24	O-Ring	1			
26	Ball Bearing	1			

● Recommended not be replaced and reinstalled individually due to assembly difficulty

2014.05