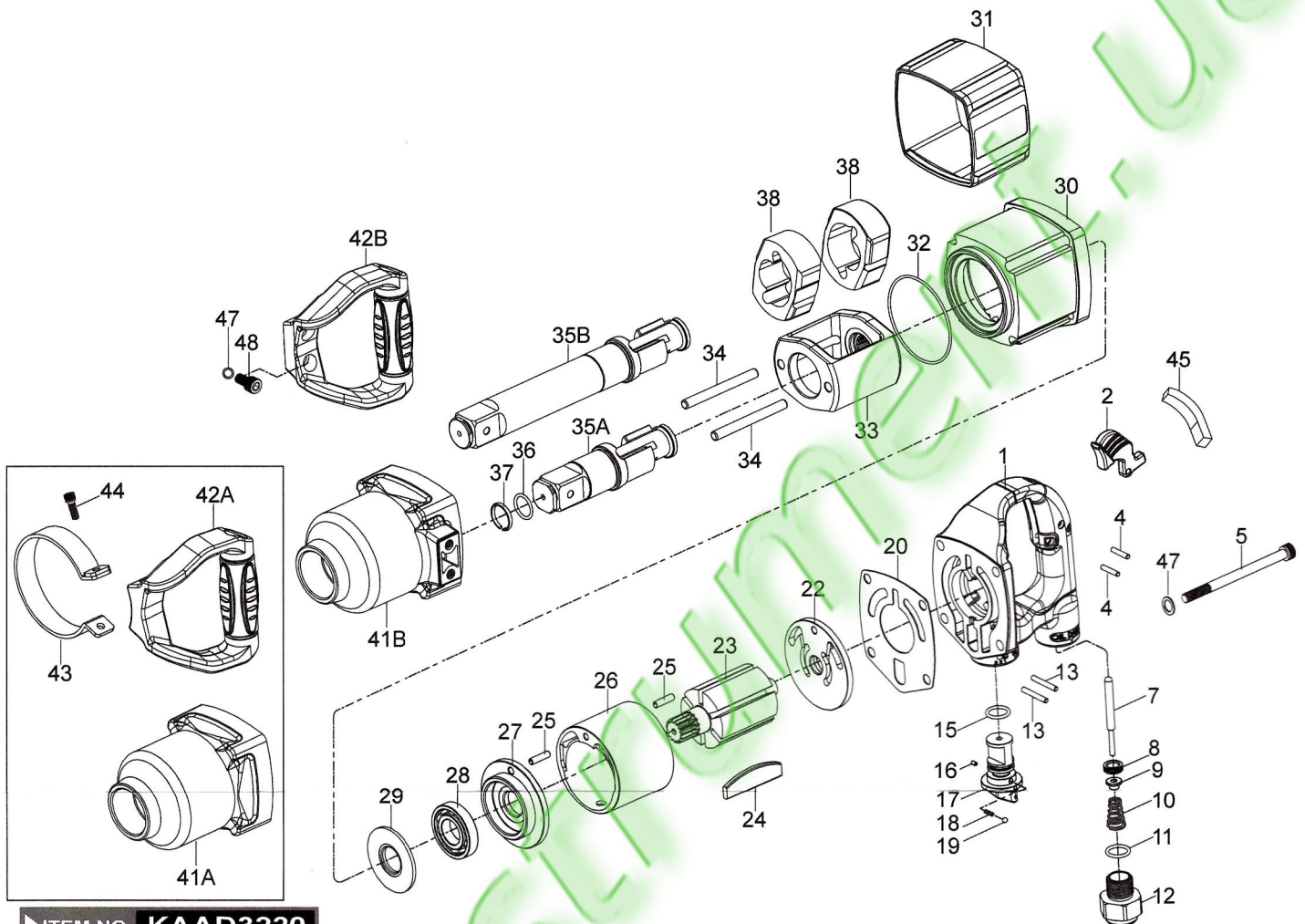


# TOPTUL®

## 1" DR. Super Duty Air Impact Wrench



ITEM NO. **KAAD3220**

Index No.	Parts No.	Description	Q'TY	Index No.	Parts No.	Description	Q'TY
1	KAEY0010	Backhead Assembly	1	28	KAEY0280	Ball Bearing	1
2	KAEY0020	Inside Trigger (Option)	1	29	KAEY0290	Washer	1
4	KBEC0090	Pin	2	30	KAEY0300	Housing	1
5	KAEY0050	Screw	4	31	KAEY0310	Rubber Grip	1
7	KAEY0070	Throttle Valve Plunger	1	32	KAEY0320	O-Ring	1
8	KAEG002A	Throttle Valve Seat	1	33	KAEY0330	Hammer Frame	1
9	KAEG0040	Throttle Valve	1	34	KAEY0340	Hammer Pin	2
10	KAEG0050	Spring	1	35A	KAEY035A	Standard Anvil Assembly (incl. 36.37)	1
11	KAEG0060	O-Ring	1	35B	KAEY035B	6" Extended Anvil Assembly (incl. 36.37)	1
12	KAEG010B	Air Inlet	1	● 36	KAEG0480	O-Ring	1
13	KAEG0140	Spring Pin	2	● 37	KAEG0490	Socket Retainer	1
15	KAEG0060	O-Ring	1	38	KAEY0380	Hammer	2
16	KAEG0200	Spring Pin	1	41A	KAEY041A	Hammer Case Assembly	1
17	KAEG0170	Reverse Valve	1	41B	KAEY041B	Hammer Case Assembly	1
18	KAEC0140	Spring	1	42A	KAEY042A	Side Spade Handle	1
19	KAEG0180	Steel Ball	1	42B	KAEY042B	Side Spade Handle	1
20	KAEY0200	Gasket	1	● 43	KAEY0430	Strap	1
22	KAEY0220	Rear End Plate Assembly	1	44	KAEY0440	Screw	2
23	KAEY0230	Rotor	1	45	KAEY0450	Rubber Cap	1
24	KAEY0240	Rotor Blade	6	47	KAEG044A	Washer	6
25	KAEY0250	Spring Pin	2	48	KAEY0480	Screw	2
26	KAEY0260	Cylinder	1	TK	KAEY0TK0	Tune-Up Kit {incl. 10.11.15.18.19.20.24(6).32.36.37}	
27	KAEY0270	Front End Plate	1				

● Recommended not be replaced and reinstalled individually due to assembly difficulty