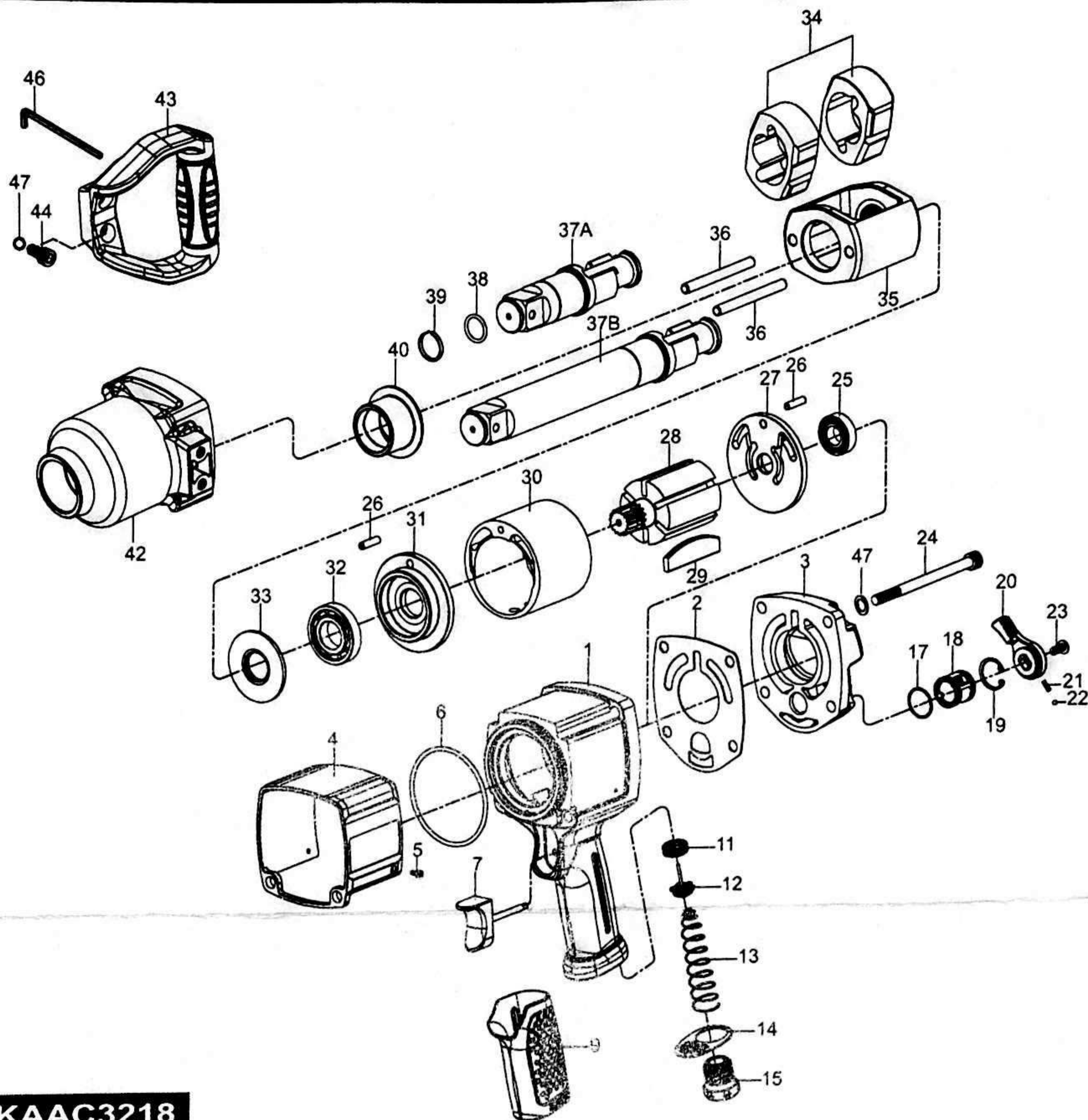


TOPTUL®

1" Dr. Super Duty Air Impact Wrench



► ITEM NO. KAAC3218

Index. No	Description	QTY	Index. No	Description	QTY
1	Housing Assembly (incl. 9. 11)	1	26	Pin	2
2	Gasket	1	27	End Plate Assembly (incl. 25)	1
3	Backhead	1	28	Rotor	1
4	Rubber Grip	1	29	Rotor Blade	6
5	Screw	2	30	Cylinder	1
6	O-Ring	1	31	End Plate	1
7	Trigger Assembly	1	32	Bearing	1
● 9	Rubber Grip	1	33	Washer	1
● 11	Throttle Valve Seat	1	34	Hammer	2
12	Throttle Valve Assembly	1	35	Hammer Frame	1
13	Spring	1	36	Hammer Pin	2
14	Exhaust Deflector	1	37A	Standard Anvil (incl. 38. 39)	1
15	Air Inlet	1	37B	6" Extended Anvil (incl. 38. 39)	1
17	O-Ring	1	● 38	O-Ring	1
18	Reverse Valve	1	● 39	Socket Retainer	1
19	Retainer	1	● 40	Bushing	1
20	Reverse Valve Knob	1	42	Hammer Case Assembly (incl. 40)	1
21	Spring	1	43	Side Spade Handle	1
22	Steel Ball	1	44	Screw	2
23	Screw	1	46	Hex Key Wrench	1
24	Screw	4	47	Washer	6
● 25	Bearing	1	TK	Tune-Up Kit (incl. 2.6.13.17.21.22.29(6).38.39)	

● Recommended not be replaced and reinstalled individually due to assembly difficulty

2013.04