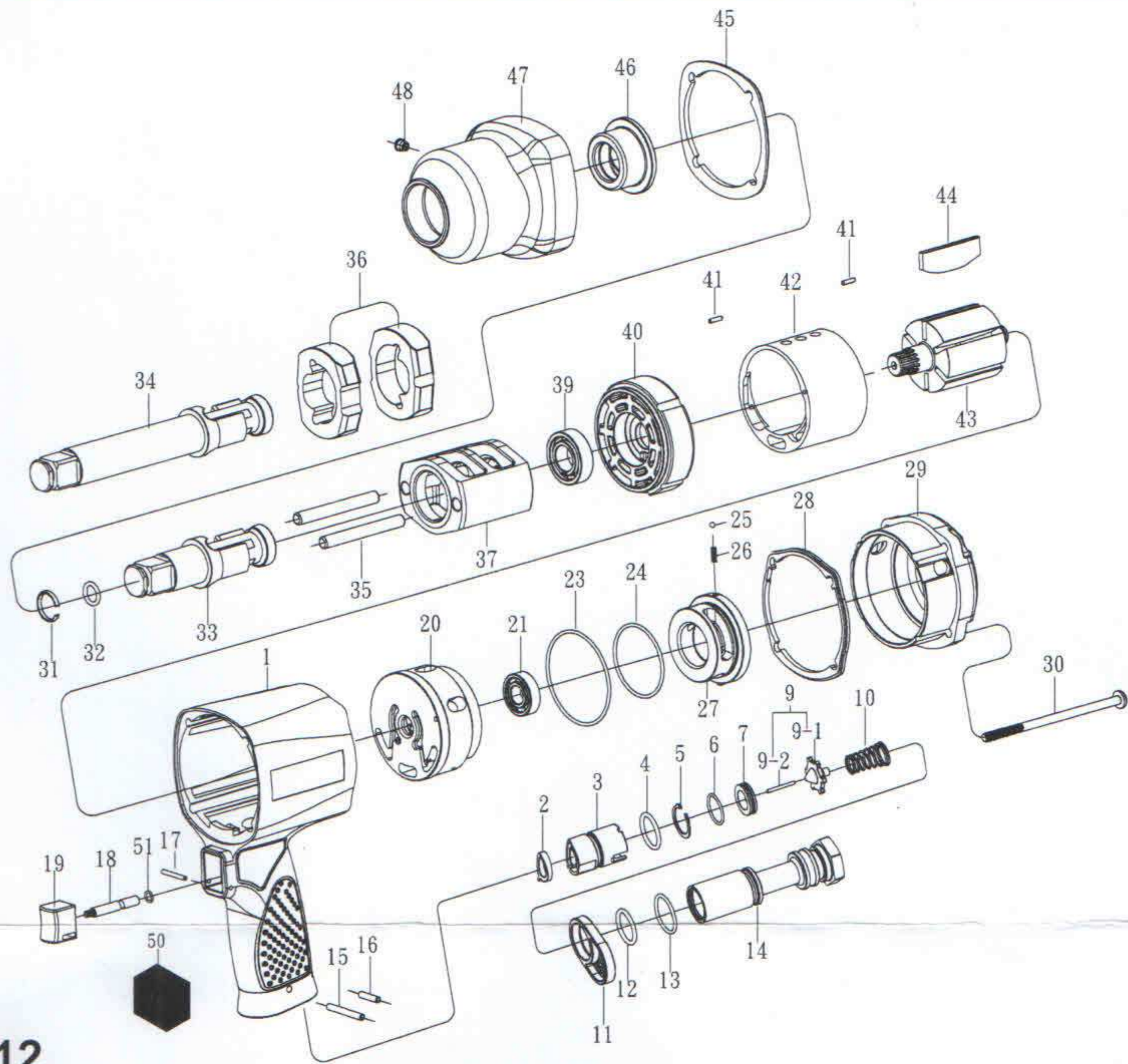


# TOPTUL®

## 3/4" Dr. Super Duty Air Impact Wrench



### KAAC2412

Index No.	Parts No.	Description	Q'TY	Index No.	Parts No.	Description	Q'TY
1	KAEP0010	Motor Housing	1	26	KAEP0260	Spring	1
2	KAEP0020	O-Ring	1	27	KAEP0270	Reverse Valve	1
3	KAEP0030	Guide Tube	1	28	KAEP0280	Gasket	1
4	KAEP0040	O-Ring	1	29	KAEP0290	Backhead	1
5	KAEP0050	Retainer	1	30	KAEP0300	Screw	4
6	KAEP0060	O-Ring	1	31	KAEP0310	Socket Retainer	1
7	KAEP0070	Throttle Valve Seat	1	32	KAEP0320	O-Ring	1
9	KAEP0090	Throttle Valve Assembly ( incl.9-1.9-2 )	1	33	KAEP0330	Standard Anvil ( for KI-1636 )	1
9-1	KAEP0091	Throttle Valve Pin	1	34	KAEP0340	6" Extended Anvil ( for KI-1636-6 )	1
9-2	KAEP0092	Throttle Valve	1	35	KAEP0350	Hammer Pin	2
10	KAEP0100	Spring	1	36	KAEP0360	Hammer	2
11	KAEP0110	Exhaust Deflector	1	37	KAEP0370	Hammer Frame	1
12	KAEP0120	O-Ring	1	39	KAEP0390	Ball Bearing	1
13	KAEP0130	O-Ring	1	40	KAEP0400	Front End Plate	1
14	KAEP0140	Air Inlet	1	41	KAEP0410	Spring Pin	2
15	KAEP0150	Spring Pin	1	42	KAEP0420	Cylinder	1
16	KAEP0160	Spring Pin	1	43	KAEP0430	Rotor	1
17	KAEP0170	Spring Pin	1	44	KAEP0440	Rotor Blade	6
18	KAEP0180	Trigger Pin	1	45	KAEP0450	Gasket	1
19	KAEP0190	Trigger Assembly ( incl.18.51 )	1	46	KAEP0460	Bushing	1
20	KAEP0200	Rear End Plate	1	47	KAEP0470	Hammer Case Assembly ( incl.46.48 )	1
21	KAEP0210	Ball Bearing	1	48	KAEP0480	Grease Fitting	1
23	KAEP0230	O-Ring	1	50	KAEP0500	Muffler Element	1
24	KAEP0240	O-Ring	1	51	KAEP0510	O-Ring	1
25	KAEP0250	Steel Ball	1	TK	KAEP0TK0	Tune-Up Kit ( 4.6.10.12.13.21.23.24.25.26.28.31.32.39.44 ( 6 ),45.50.51 )	