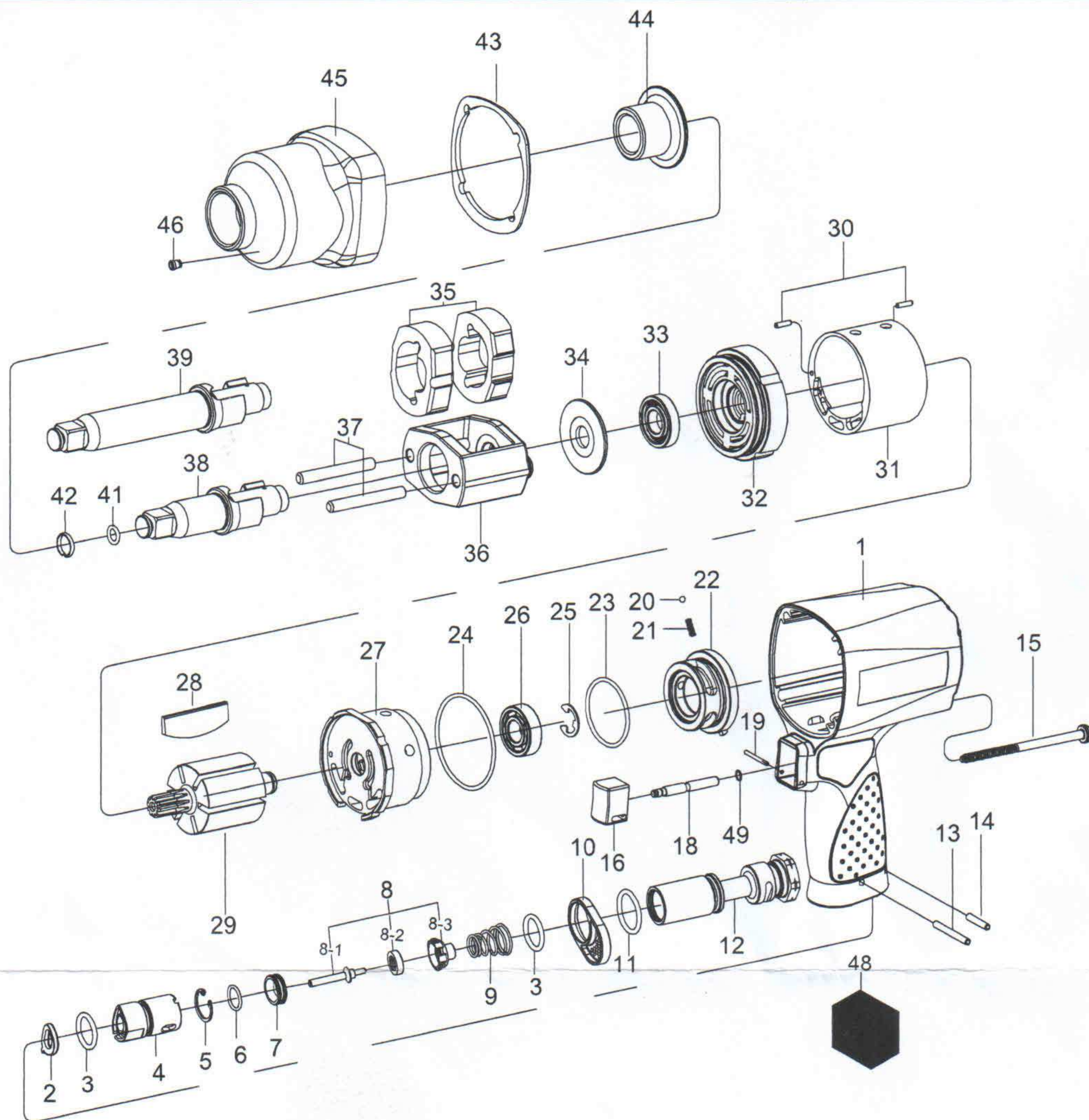


# TOPTUL®

## 1/2" Dr. Super Duty Air Impact Wrench



KAAC1660

Index No.	Parts No.	Description	Q'TY	Index No.	Parts No.	Description	Q'TY
1	KAEO0010	Motor Housing	1	24	KAEO0240	O-Ring	1
2	KAEO0020	O-Ring	1	25	KAEO0250	Retainer	1
3	KAEO0030	O-Ring	2	26	KAEO0260	Ball Bearing	1
4	KAEO0040	Guide Tube	1	27	KAEO0270	Rear End Plate	1
5	KAEO0050	Retainer	1	28	KAEO0280	Rotor Blade	6
6	KAEO0060	O-Ring	1	29	KAEO0290	Rotor	1
7	KAEO0070	Throttle Valve Seat	1	30	KAEO0300	Spring Pin	2
8	KAEO0080	Throttle Valve Assembly ( incl.8-1.8-2.8-3	1	31	KAEO0310	Cylinder	1
8-1	KAEO0081	Throttle Valve Pin	1	32	KAEO0320	Front End Plate	1
8-2	KAEO0082	Rubber Seal	1	33	KAEO0330	Ball Bearing	1
8-3	KAEO0083	Throttle Valve	1	34	KAEO0340	Washer	1
9	KAEO0090	Spring	1	35	KAEO0350	Hammer	2
10	KAEO0100	Exhaust Deflector	1	36	KAEO0360	Hammer Frame	1
11	KAEO0110	O-Ring	1	37	KAEO0370	Hammer Pin	2
12	KAEO0120	Air Inlet	1	38	KAEO0380	Standard Anvil ( for KI-1454 )	1
13	KAEO0130	Spring Pin	1	39	KAEO0390	2" Extended Anvil ( for KI-1454-2 )	1
14	KAEO0140	Spring Pin	1	41	KAEO0410	O-Ring	1
15	KAEO0150	Screw	4	42	KAEO0420	Socket Retainer	1
16	KAEO0160	Trigger Assembly ( incl.18.49 )	1	43	KAEO0430	Gasket	1
18	KAEO0180	Trigger Pin	1	44	KAEO0440	Bushing	1
19	KAEO0190	Spring Pin	1	45	KAEO0450	Hammer Case Assembly ( incl.44.46	1
20	KAEO0200	Steel Ball	1	46	KAEO0460	Grease Fitting	1
21	KAEO0210	Spring	1	48	KAEO0480	Muffler Element	1
22	KAEO0220	Reverse Valve	1	49	KAEO0490	O-Ring	1
23	KAEO0230	O-Ring	1	TK	KAEO0TK0	Tune-Up Kit { 3 ( 2 ).6.9.11.20.21.23.24.26.28 ( 6 ).33.41.42.43.48.49 }	