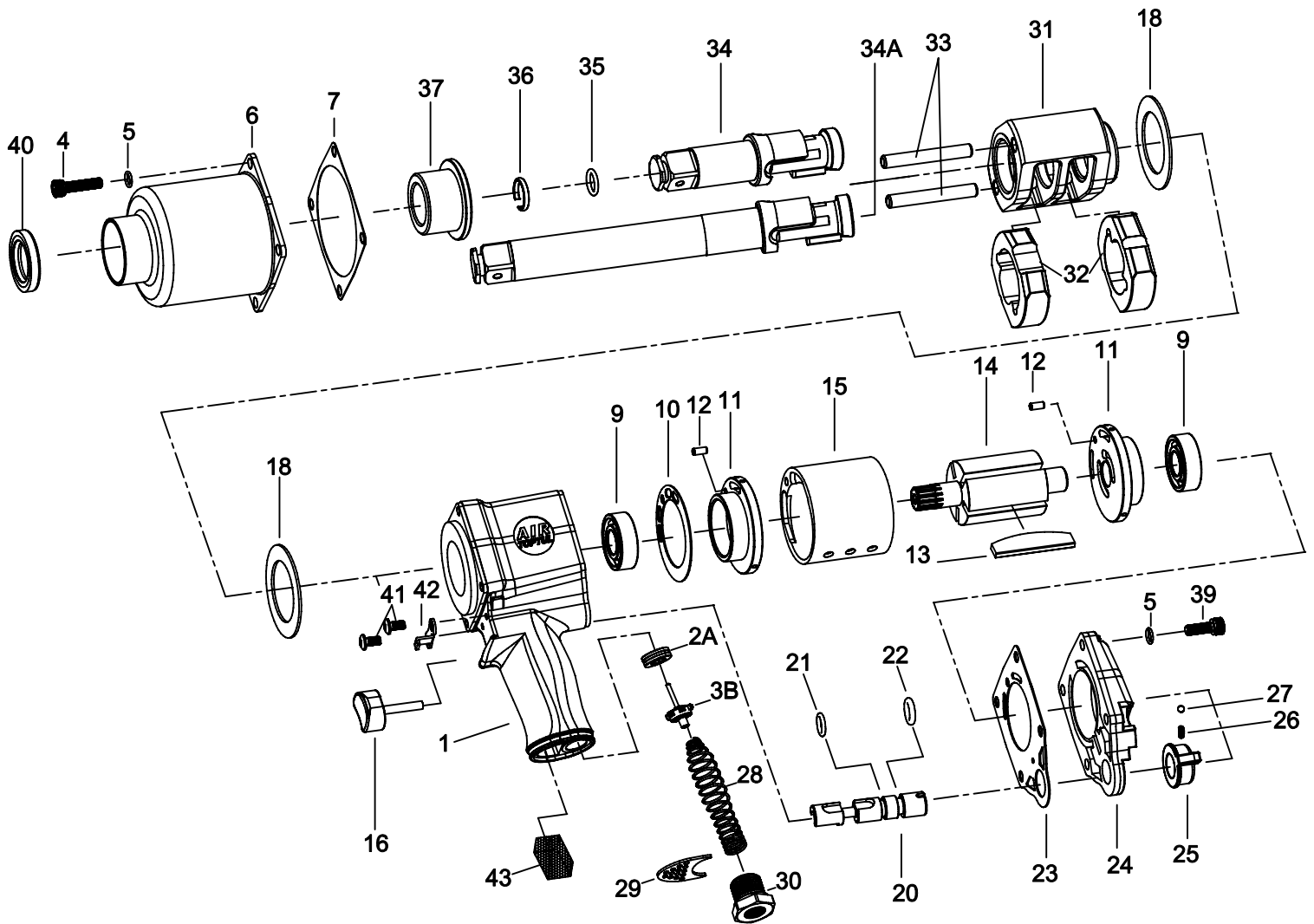


TOPTUL®

3/4" Dr. Super Duty Air Impact Wrench



KAAA2475
KAAB2475

Index No.	Parts No.	Description	Q'TY	Index No.	Parts No.	Description	Q'TY
01	KAEF0010	Motor Housing Assembly (INC.2A)	1	24	KAEF0240	Back Cap	1
02A	KAEC002A	Throttle Valve Seat Assembly	1	25	KAEF0250	Air Regulator	1
03B	KAEC003A	Throttle Valve Assembly	1	26	KAEF0260	Spring	1
04	KAEF0040	Hammer Case Gap Screw	4	27	KAEF0270	Steel Ball	1
05	KAEF0050	Lock Washer	8	28	KAEC0040	Throttle Valve Spring	1
06	KAEF0060	Hammer Case	1	29	KAEF0290	Exhaust Deflector	1
07	KAEF0070	Hammer Case Gasket	1	30	KAEC0060	Air Strainer	1
09	KAEF0090	Bearing	2	31	KAEF0310	Hammer Frame	1
10	KAEF0100	End Plate Gasket	1	32	KAEF0320	Hammer	2
11	KAEF0110	End Plate	2	33	KAEF0330	Hammer Pin	2
12	KAEF0120	Pin	2	34	KAEF0340	Standard Anvil Assembly (INC.35.36)	1
13	KAEF0130	Rotor Blade	5	34A	KAEF034A	6" Extend Anvil Assembly (INC.35.36)	1
14	KAEF0140	Rotor	1	35	KAEE0450	O-Ring	1
15	KAEF0150	Cylinder	1	36	KAEE0440	Socket Retainer	1
16	KAEF0160	Trigger	1	37	KAEF0370	Hammer Case Bushing	1
18	KAEF0180	Hammer Frame Rear Washer	1	39	KAEF0390	Screw	4
20	KAEF0200	Reverse Valve	1	40	KAEF0400	Oil Seal	1
21	KAEF0210	O-Ring	1	41	KAEF0410	Screw	2
22	KAEF0220	O-Ring	1	42	KAEF0420	End Cap	1
23	KAEF0230	Back Gap Gasket	1	43	KAEF0430	Muffler Element	1