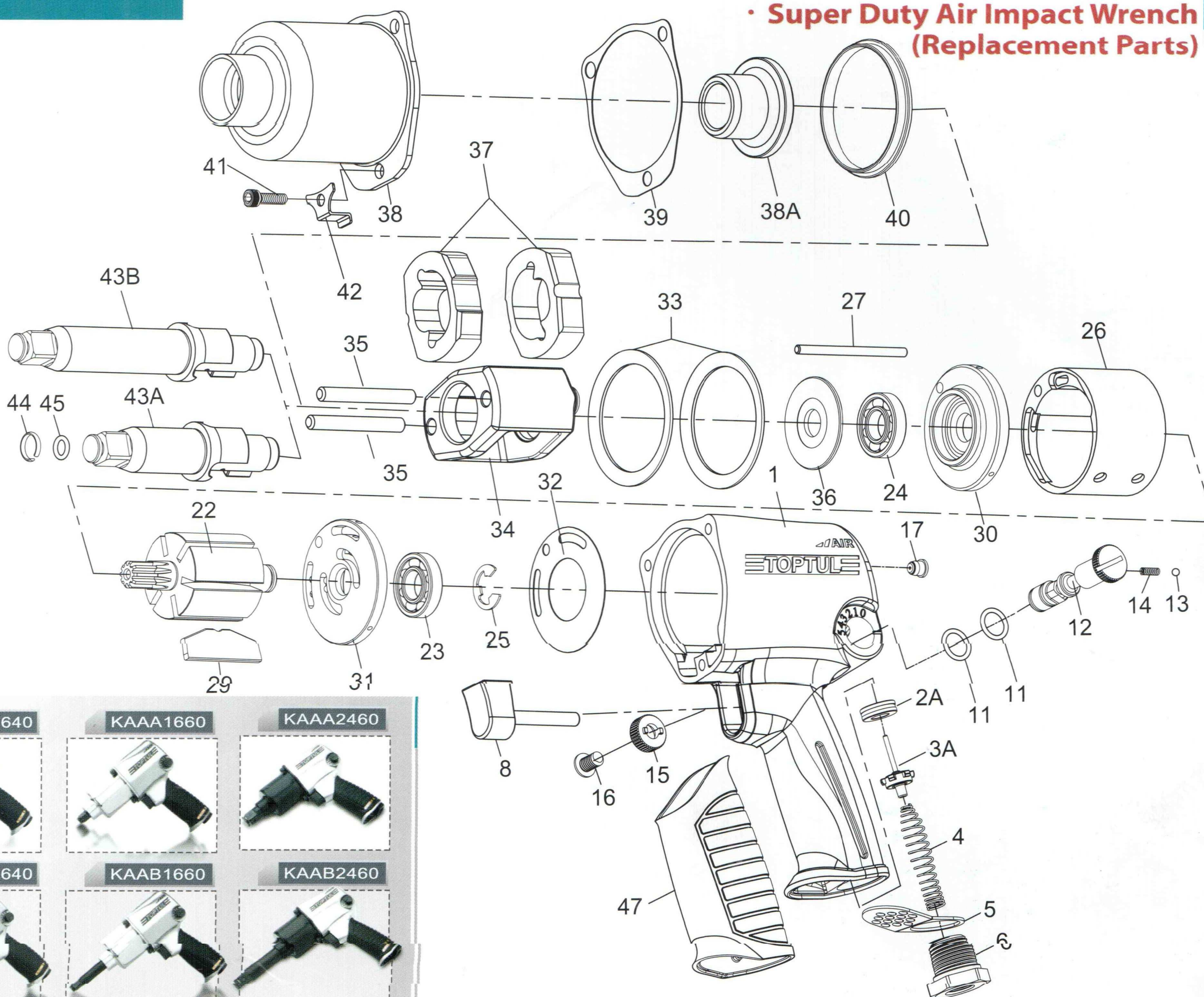


Super Duty Air Impact Wrench (Replacement Parts)



- Super Duty Air Impact Wrench

Index NO.	Part. NO.	Description	Q'TY	Index NO.	Part. NO.	Description	Q'TY	
1	KAEC0010	Motor Housing Assembly (INC.2A.17)	1 set	32	KAEC0320	End Plate Gasket	1	
2A	KAEC002A	Throttle Valve Seat Assembly	1	33	KAEC0330	Motor Clamp Washer	2	
3A	KAEC003A	Throttle Valve Assembly	1	34	KAEC0340	Hammer Cage (Form 1640)	1	
4	KAEC0040	Throttle Valve Spring	1		KAED0340	Hammer Cage (Form 1660)		
5	KAEC0050	Exhaust Silencer	1		KAEE0340	Hammer Cage (Form 2460)		
6	KAEC0060	Air Strainer	1	35	KAEC0350	Hammer Pin	2	
8	KAEC0080	Trigger Assembly	1	36	KAEC0360	Hammer Cage Rear Washer (Form 1640)	1	
11	KAEC0110	O-Ring	2	37	KAEC0370	Hammer	2	
12	KAEC0120	Reverse Valve	1	38	KAEC0380	Hammer Case (Form 1640 & 2460)	1	
13	KAEC0130	Steel Ball	1		KAED0380	Hammer Case (Form 1660)		
14	KAEC0140	Spring	1		KAEC038A	Hammer Case Bushing (Form 1640)		1
15	KAEC0150	Reverse Valve Knob	1	38A	KAED038A	Hammer Case Bushing (Form 1660)		
16	KAEC0160	Reverse Valve Knob Screw	1	KAEE038A	Hammer Case Bushing (Form 2460)			
17	KAEC0170	Grease Fitting	1	39	KAEC0390	Hammer Case Gasket	1	
22	KAEC0220	Rotor (Form 1640)	1	40	KAEC0400	Hammer Case Pilot	1	
	KAED0220	Rotor (Form 1660 & 2460)						
23	KAEC0230	Rear Rotor Bearing	1	41	KAEC0410	Hammer Case Cap Screw (Form 1640 & 1660)	3	
24	KAEC0240	Front Rotor Bearing	1		42	KAEC0420		End Cap
	KAED0240	Front Rotor Bearing (Form 1660 & 2460)						
25	KAEC0250	Rear Rotor Bearing Retainer	1	43A	KAEC043A	Standard Anvil Assembly (INC.44.45) (Form 1640)	1 set	
26	KAEC0260	Cylinder (Form 1640)	1		43A	KAED043A		Standard Anvil Assembly (INC.44.45) (Form 1660)
	KAED0260	Cylinder (Form 1660 & 2460)						
27	KAEC0270	Cylinder Dowel (Form 1640 & 1660)	1	43B	KAEC043B	2" Extended Anvil Assembly (INC.44.45) (Form 1640)	1 set	
	KAED0270	Cylinder Dowel (Form 1660 & 2460)						
	KAEE0270	Cylinder Dowel (Form 2460)						
29	KAEC0290	Rotor Blade (Form 1640)	6	44	KAEC0440	Socket Retainer (Form 1640 & 1660)	1	
	KAED0290	Rotor Blade (Form 1660 & 2460)						
30	KAEC0300	Front End Plate (Form 1640)	1	45	KAEC0450	Retainer O-Ring (Form 1640 & 1660)	1	
	KAED0300	Front End Plate (Form 1660 & 2460)						
31	KAEC0310	Rear End Plate (Form 1640)	1	47	KAEC0470	Pistol Rubber	1	
	KAED0310	Rear End Plate (Form 1660 & 2460)						