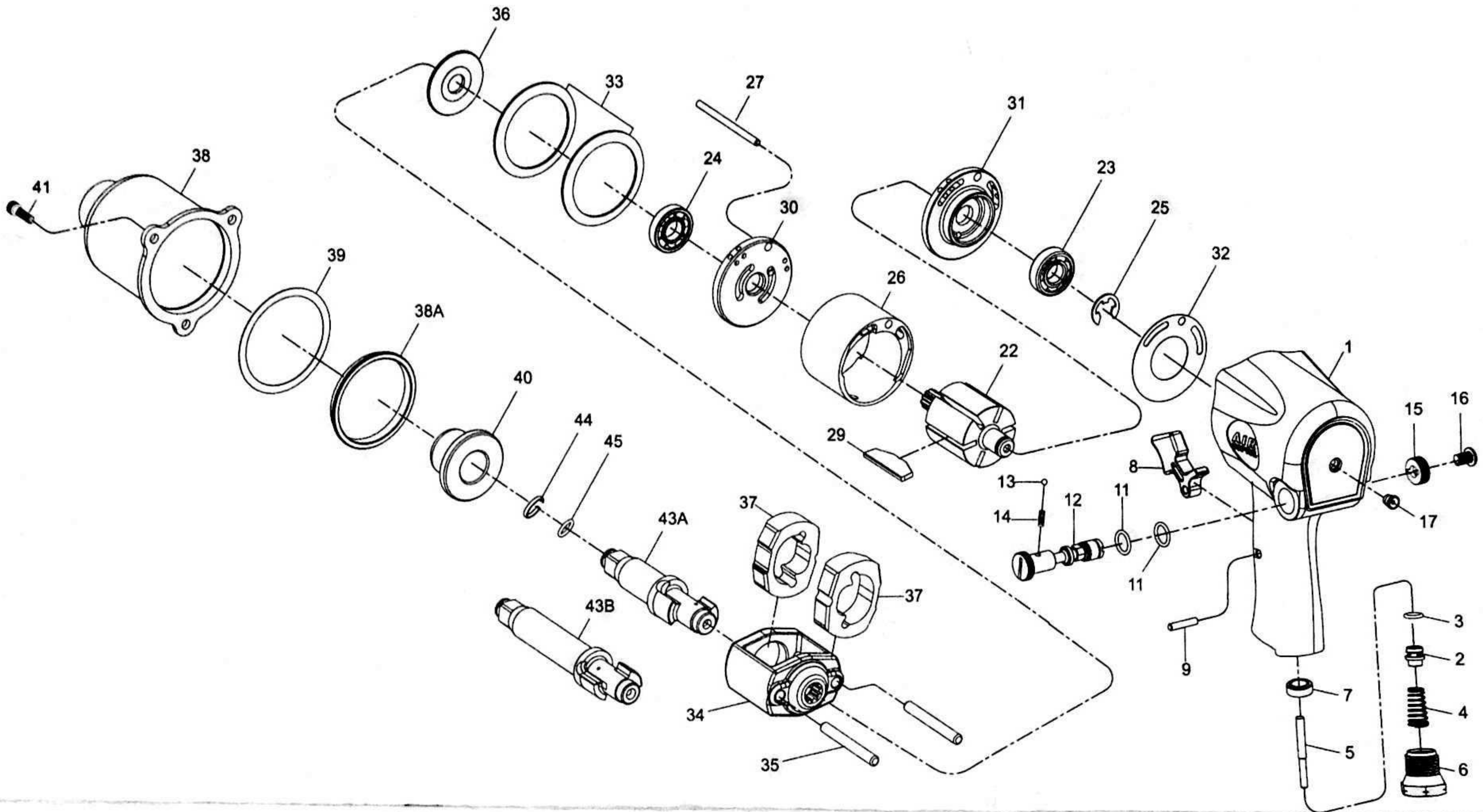


# TOPTUL®

## 1/2" Dr. Super Duty Air Impact Wrench



► ITEM NO. **KAAA1650B**

Index. No	Parts No.	Description	Q'TY	Index. No	Parts No.	Description	Q'TY
1	KBEC0010	Housing Assembly (incl. 7.17)	1	27	KAEC0270	Cylinder Dowel	1
2	KBEC0020	Throttle Valve	1	29	KAEC0290	Rotor Blade	6
3	KBEC0030	O-Ring	1	30	KBEC0300	End Plate	1
4	KBEC0040	Spring	1	31	KBEC0310	End Plate	1
5	KBEC0050	Throttle Valve Stem	1	32	KAEC0320	Gasket	1
6	KBEC0060	Air Inlet	1	33	KAEC0330	Motor Clamp Washer	2
● 7	KBEC0070	Throttle Valve Seat	1	34	KBEC0340	Hammer Frame	1
8	KBEC0080	Trigger	1	35	KBEC0350	Hammer Pin	2
9	KBEC0090	Trigger Pin	1	36	KAEC0360	Washer	1
11	KAEC0110	O-Ring	2	37	KAEC0370	Hammer	2
12	KAEC0120	Reverse Valve	1	38	KBEC0380	Hammer Case	1
13	KAEC0130	Steel Ball	1	38A	KAEC0400	Separator	1
14	KAEC0140	Spring	1	39	KBEC0390	Gasket	1
15	KAEC0150	Reverse Valve Knob	1	40	KAEC038A	Bushing	1
16	KAEC0160	Screw	1	41	KBEC0410	Screw	3
● 17	KAEC0170	Grease Fitting	1	43A	KBEC043A	Standard Anvil Assembly (incl. 44.45)	1
22	KBEC0220	Rotor	1	43B	KBEC043B	2" Extended Anvil Assembly (incl. 44.45)	1
23	KBEC0230	Bearing	1	● 44	KAEC0440	Socket Retainer	1
24	KBEC0240	Bearing	1	● 45	KBEC0450	O-Ring	1
25	KAEC0250	Retainer	1				
26	KBEC0260	Cylinder	1	TK	KBEC0TK0	Tune-Up Kit (incl. no. 3. 4. 11(2). 25. 29(6). 32. 39. 44. 45)	

● Recommended not be replaced and reinstalled individually due to assembly difficulty