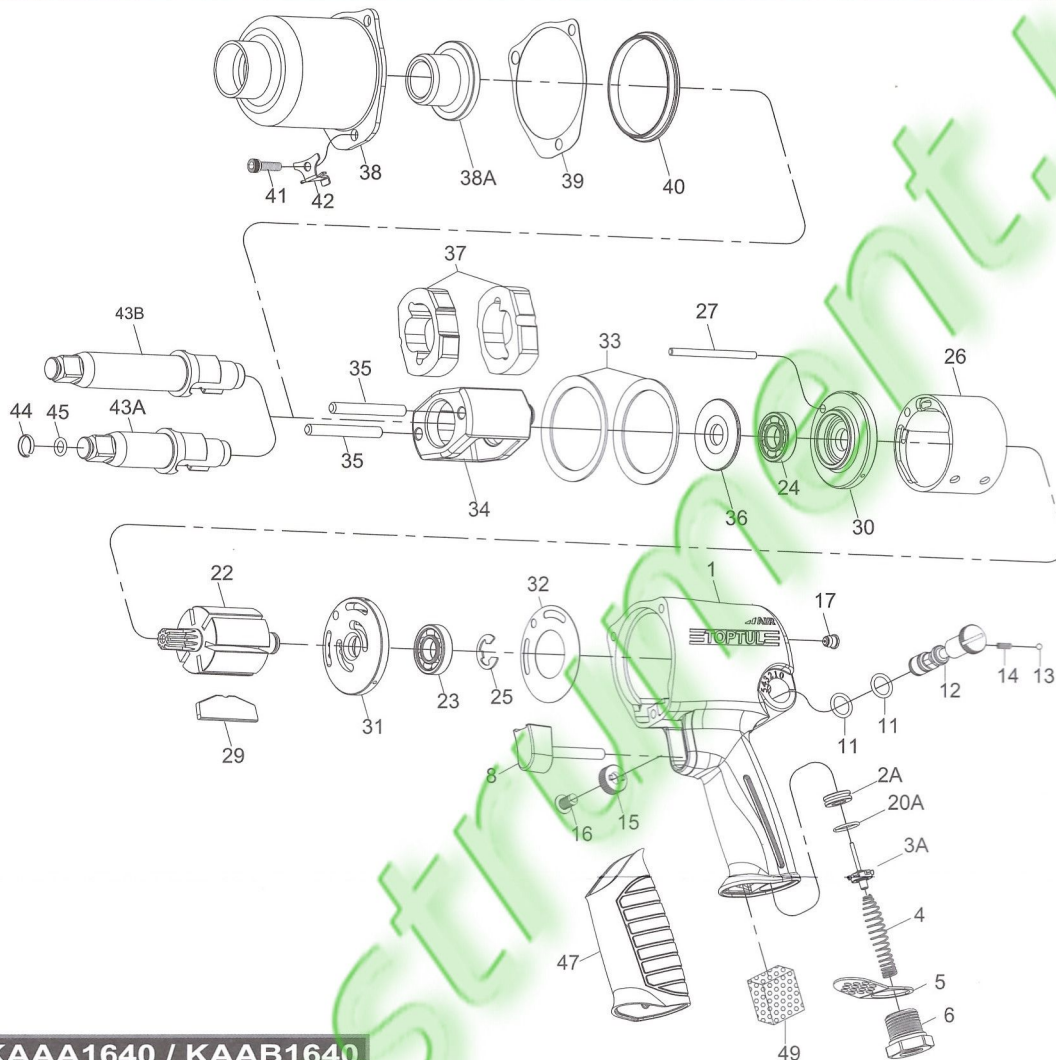


# TOPTUL®

## 1/2" Dr. Super Duty Air Impact Wrench



► ITEM NO. **KAAA1640 / KAAB1640**

Index No	Parts No.	Description	Q'TY	Index No	Parts No.	Description	Q'TY
1	KAEC0010	Housing Assembly (incl. 2A. 17. 20A. 47)	1	30	KAEC0300	End Plate	1
2A	KAEC002A	Throttle Valve Seat	1	31	KAEC0310	End Plate	1
3A	KAEC003A	Throttle Valve Assembly	1	32	KAEC0320	Gasket	1
4	KAEC0040	Spring	1	33	KAEC0330	Motor Clamp Washer	2
5	KAEC0050	Exhaust Deflector	1	34	KAEC0340	Hammer Frame	1
6	KAEC0060	Air Inlet	1	35	KAEC0350	Hammer Pin	2
8	KAEC0080	Trigger Assembly	1	36	KAEC0360	Hammer Frame Rear Washer	1
11	KAEC0110	O-Ring	2	37	KAEC0370	Hammer	2
12	KAEC0120	Reverse Valve	1	38	KAEC0380	Hammer Case Assembly (incl. 38A)	1
13	KAEC0130	Steel Ball	1	● 38A	KAEC038A	Bushing	1
14	KAEC0140	Spring	1	39	KAEC0390	Hammer Case Gasket	1
15	KAEC0150	Reverse Valve Knob	1	40	KAEC0400	Separator	1
16	KAEC0160	Screw	1	41	KAEC0410	Screw Assembly	3
● 17	KAEC0170	Grease Fitting	1	42	KAEC0420	Trigger Retainer	1
20A	KAEC020A	O-Ring	1	43A	KAEC043A	Standard Anvil Assembly (incl. 44. 45)	1
22	KAEC0220	Rotor	1	43B	KAEC043B	2" Extended Anvil Assembly (incl. 44. 45)	1
23	KAEC0230	Bearing	1	44	KAEC0440	Socket Retainer	1
24	KAEC0240	Bearing	1	45	KAEC0450	O-Ring	1
25	KAEC0250	Retainer	1	47	KAEC0470	Rubber Grip	1
26	KAEC0260	Cylinder	1	49	KAEC0490	Muffler Element	1
27	KAEC0270	Cylinder Dowel	1	TK	KAEC0TK0	Tune-Up Kit (incl.4.11(2).13.14.20A.23.24.25.29(6).32.39.44.45.49)	
29	KAEC0290	Rotor Blade	6				

● Recommended not be replaced and reinstalled individually due to assembly difficulty