



**Safety instructions:**

- Do not use the lamp if it is damaged.
- The lamp is not a toy! Keep children away from the device and the packaging!
- Keep the lamp away from heat sources.
- Do not use the lamp in an explosive environment, e.g. near flammable gases or dust.
- The lamp serves as a robust, compact and easy-to-use mobile light source and may only be used as intended.
- Die Lampe darf nur von Personen benutzt werden, die verantwortlich damit umgehen und die Bedienungsanleitung beachten und verstehen.
- Load only with original accessories.



Never look directly into the light of the LED work lamp to avoid eye damage.

Caution: risk of glare!

**Care and Maintenance:**

Keep the lamp clean. Wipe the case regularly with a slightly damp cloth.

Store the lamp in a dry place.

Charge the lamp at least every three months!



**Disposal:**

Electrical appliances do not belong in the household waste.

Please dispose of them at the collection points in your community.

Please only return the lamp to the collection point when it is discharged.



# PROTESTER

## 5W LED ALUMINIUM WORK LIGHT

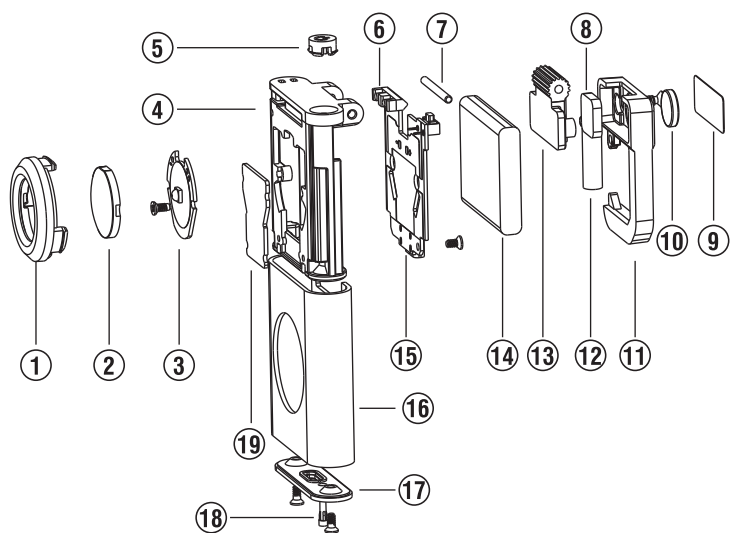


- 500 lumens for Super bright,1 hours running time
- 420 lumens for Hight bright,1.5 hours running time
- 190 lumens for Low bright,3.5 hours running time
- 90 lumens for twinkle,4.5 hours running time
- Battery:3.7V Li-polymer,600 mAh
- Charge time:2.5~3 hours
- Over charge and over discharge protection
- Aluminum shell,so that the product has better heat dissipation
- Multi-folding support with hook and strong magnets



**PL-1001**

The red indicator light turns green when the lamp is charged.



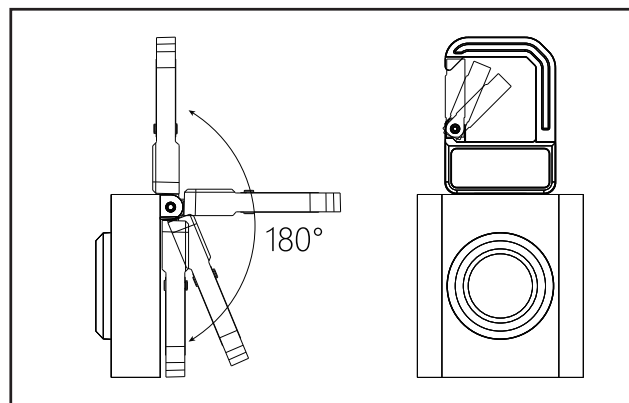
**Exploded view**

① Garnish	⑦ Axis	⑬ Gear	⑰ Aluminum plate
② Lens	⑧ Iron sheets	⑭ Li-polymer battery	
③ SMD	⑨ Rubber stickers	⑮ PCB	
④ Support	⑩ Magnet	⑯ Aluminum shell	
⑤ Button	⑪ Hook	⑰ Bottom plate	
⑥ Stopper	⑫ Part	⑱ Light guide	

**TECHNICAL SPECIFICATIONS**

Voltage	----- 3.7 V	APPLY:	
Battery	----- Li-polymer	Temperature	----- <50°C
LED:	----- 1 SMD	Charge time:	----- 2.5 - 3 Hours
Capacity	----- 600 mAh	Run time:	----- 1/1.5/3.5/4.5 Hours

### FUNKTIONEN



Brightness switching method  
 Long press: Super bright  
 Short press: Off  
 Each press: High light/low/light/flicker/off

