

TROUBLE SHOOTING CHECK LIST		Release valve may not be tightly closed.	Jack may be low on oil. Remove filler plug and fill reservoir with clean hydraulic jack oil.	Reservoir may be overfilled. Remove filler plug and drain excess oil.	Jack may be air – bound. Open the release valve and pump the handle several times. Close the release valve and operate. Repeat if necessary.	Valves may not be closed or have foreign matter present. To flush valves. Lower the saddle and close the release valve. Manually lift the saddle several inches, open the release valve and then force the saddle to lower as rapidly as possible.
Problem full rated capacity Jack won't lift load or Jack lowers under load	<input type="checkbox"/>	<input type="checkbox"/>	<input type="checkbox"/>	<input type="checkbox"/>	<input type="checkbox"/>	<input type="checkbox"/>
Jack won't lift load or full rated capacity Jack lowers under load	<input type="checkbox"/>	<input type="checkbox"/>	<input type="checkbox"/>	<input type="checkbox"/>	<input type="checkbox"/>	<input type="checkbox"/>
Oil leaking from filler plug	<input type="checkbox"/>	<input type="checkbox"/>	<input type="checkbox"/>	<input type="checkbox"/>	<input type="checkbox"/>	<input type="checkbox"/>
Jack lowers under load	<input type="checkbox"/>	<input type="checkbox"/>	<input type="checkbox"/>	<input type="checkbox"/>	<input type="checkbox"/>	<input type="checkbox"/>
Jack won't lift full height	<input type="checkbox"/>	<input type="checkbox"/>	<input type="checkbox"/>	<input type="checkbox"/>	<input type="checkbox"/>	<input type="checkbox"/>
Jack won't lift full height	<input type="checkbox"/>	<input type="checkbox"/>	<input type="checkbox"/>	<input type="checkbox"/>	<input type="checkbox"/>	<input type="checkbox"/>

TEST CERTIFICATE

Product HYDRAULIC BOTTLE JACK

Item _____

Inspector _____

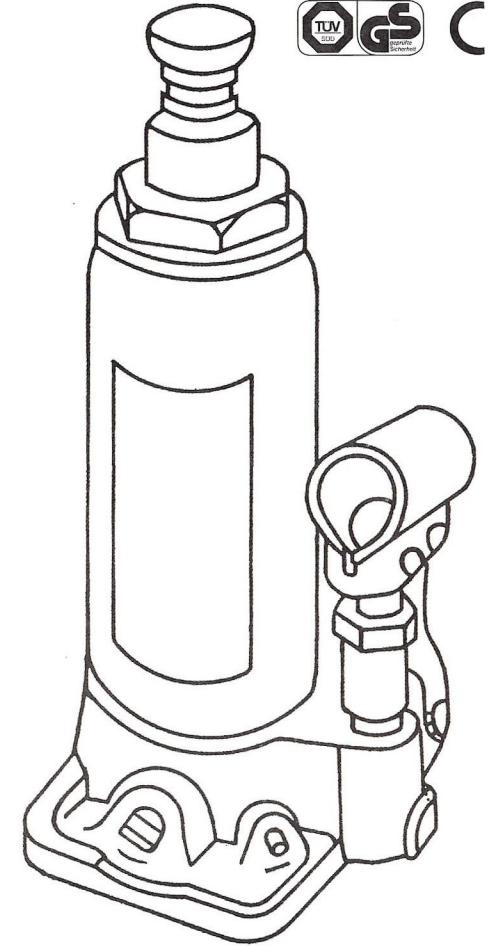
Date Of Packing _____

MAIN TECHNICAL DATA

Item	Capacity (Ton)	Minimum Height (mm)	Lifting Height (mm)	Adjusting Height (mm)	N.W./G.W. (Kg)
T90204D	2	148	80	48	2.3/2.5
T90304D	3	180	110	60	3.1/3.3
T90404D	4	180	110	60	3.1/3.3
T90504D	5	185	110	60	4.0/4.3
T90604D	6	185	110	60	4.0/4.3
T90804D	8	190	115	60	4.8/5.1
T91004D	10	195	120	60	5.9/6.2
T91204D	12	200	120	60	6.6/7
T91504D	15	205	125	60	7.6/8
T92004D	20	217	130	60	10.1/10.5
T93004D	30	230	130	—	13/13.6

HYDRAULIC BOTTLE JACK

OPERATION INSTRUCTIONS



WARNING: Use of this jack is for lifting purposes only. Jack should be placed on solid level ground. Always block or chock wheels and apply emergency brake. Use additional safety support devices (EX Rated Jackstands) to support vehicle load before making repairs under vehicle. Do not load jack beyond its rated capacity. Before lifting any vehicle, make sure jack is in good working order. Do not adjust the safety valve.

INSTRUCTIONS FOR USE

TO RAISE :

1. With narrow end of jack handle, close release valve tightly by turning it clockwise. (Fig. 1)
2. Place jack under vehicle at proper lifting location. (Refer to vehicle Owner's Manual.) If needed, turn the extension screw on jack counterclockwise until it comes into contact with vehicle. (Fig. 2)
3. Insert jack handle into handle socket. Pump the handle to lift vehicle to desired height. (Fig. 3)

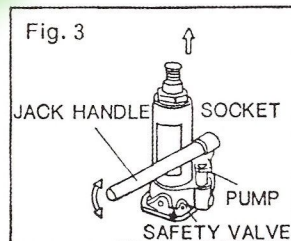
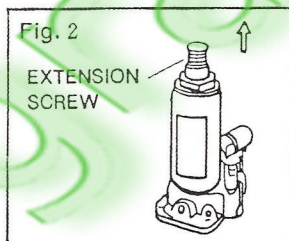
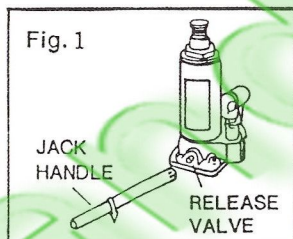
TO LOWER :

CAUTION: LOWER VEHICLE SLOWLY! TURN RELEASE VALVE SLOWLY!

1. Remove handle, use small end to open release valve. (To open release valve turn it SLOWLY in a counter clockwise direction.)

NOTE: DO NOT OPEN RELEASE VALVE MORE THAN ONE (1) FULL TURN

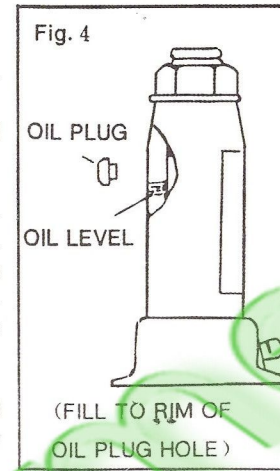
2. When vehicle is fully lowered, remove jack. (If Extension Screw has been extended, turn it clockwise until it retracts enough to move jack away from vehicle.)



MAINTENANCE :

Adding Oil/Lubrication (Fig. 4)

1. Place the jack in an upright position.
2. Lower pump and piston to full down position.
3. Remove rubber oil plug on jack.
4. Fill with GOOD GRADE HYDRAULIC OIL only. (Fill to lower rim of oil fill hole.) Purge system of air as described below (purging Air from Hydraulic System).
5. Replace rubber oil plug.
6. Lubricate pivoting joints and screw extension periodically for proper maintenance.



Purging Air from Hydraulic system.

Occasionally, air bubbles become trapped inside the jack, reducing its efficiency. Bleed air out of the jack's hydraulic system as follows:

1. Open release valve, remove oil plug.
2. Operate pump rapidly several times to force air out.
3. Close release valve, replace oil plug.

Jack should now operate normally. If not, repeat purging procedure as needed.

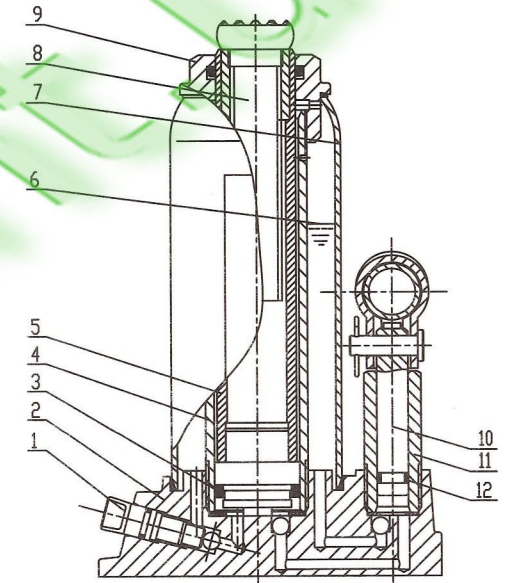
Rust Prevention.

Keep Piston, Pump and Extension Screw in full down position when not in use. Avoid contact with moisture. If contact with moisture occurs, wipe dry and grease/lubricate all jack parts.

CAUTION:

- Read all instructions before use.
- Never exceed the jack's rated capacity.
- Jack should only be used on a solid, level surface.
- Never work underneath the vehicle without using additional safety support devices (EX Rated Jack stands) to support vehicle before making repairs.
- Do not disassemble. Disassembly may result in malfunction or injury.

CONSTRUCTION DIAGRAM



T90204D-T93004D

1. Release valve lever
2. Base
3. O—Ring
4. Hydraulic cylinder
5. Ram
6. Hydraulic oil
7. Oil—tight tank
8. Extension screw
9. Top cap
10. Pump plunger
11. Pump body
12. O—Ring